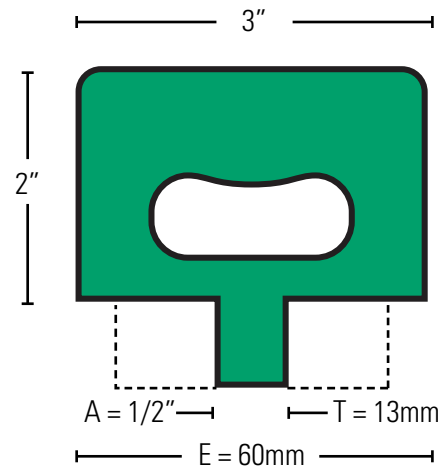




PODTs Poly-Dies with Molded Tang

- PODs with Molded Tangs are available with:
American: 1/2" x 5/8" Tang
Amada, European: 60mm x 20mm
Trumpf: 13mm x 20mm
- Standard Length = 48"
- Capacity: 90A Red = 12 Ga. MS
95A Amber = 12 Ga. SS
- Available in several deflections and durometers

95A - Amber	15% Deflection	Medium Hard
90A - Red	25% Deflection	Medium
80A - Green	35% Deflection	Medium Soft
70A - Blue	40% Deflection	Soft



PART NUMBER	TYPE	BLOCK SIZE	TANG SIZE
POD32AT	American	3"W x 2"H	1/2"W x 5/8"H
POD32ET	Amada or European	3"W x 2"H 75mm W x 50mm H	60mm W x 20mm H
POD32TT	TRUMPF	3"W x 2"H 75mm W x 50mm H	13mm W x 20mm H