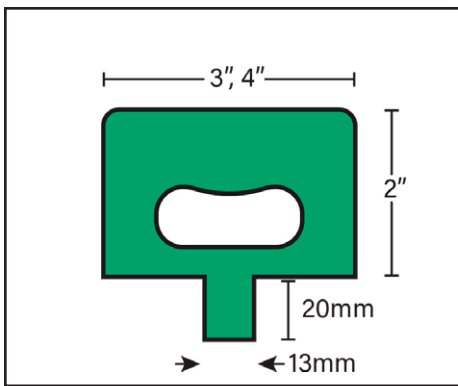
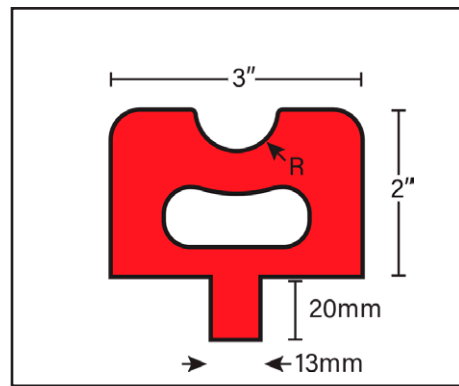


These Pads have molded 13mm x 20mm tang, to use pad directly on the machine without a steel retainer



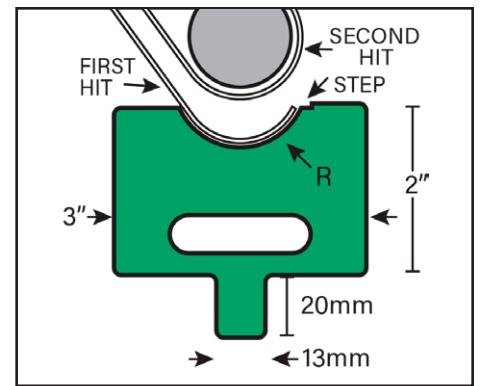
POD

POD pads are designed for sharp V-bends, and radius V-bends as well as for bump forming any radius (with a Punch width of 50% of the pad width penetrating the pad).



PUD

PUD pads have a molded U-shaped groove on the top surface, for one hit U-forming of various outside radii.



PBN

PBN pads have a molded back-stop. In the first hit, a 100 degree arc is formed. Feeding the sheet metal in, so that there is a 10° overlap between the first hit and the second hit, a perfect 180° bend is formed.

PART NUMBER	BLOCK SIZE
MT32T	3" W X 2" H
MT42T	4" W X 2" H

PART NUMBER	OUTSIDE RADIUS
MTUT-25R	0.25" (6.3mm)
MTUT-38R	0.38" (9.5mm)
MTUT-50R	0.50" (12.7mm)
MTUT-75R	0.75" (19mm)

PART NUMBER	OUTSIDE RADIUS
MTBNT-75R	0.75" (19mm)
MTBNT-1R	1.0" (25.4mm)

AVAILABLE HARDNESSES:

DT-25 90 A - Red

DT-15 95 A - Amber

DT-5 75 D - Black (Hard)