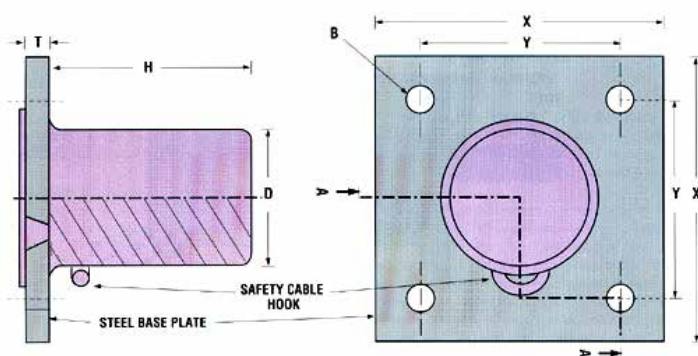




"Poly-Pro" 'S' Series Crane Bumpers are made of a high performance polyurethane elastomer bumper body that is cylindrical shaped, and is bonded perpendicular to a square, steel base plate with 4 mounting holes. The bumper has an integrally molded 'safety-hook', designed for safety cable anchoring.



"S-Series" Crane Bumpers

| P.P.C Part Number | BUMPER | | MOUNTING BASE | | | | | BUMPER Volume Cu. In. | BUMPER CAPACITY Kinetic Energy during impact Ft-lb./In. | Weight of Bumper, Pounds |
|-------------------------|-------------------|-------------|-------------------------------|----------------------|-------------------|--------------------|-----------------------------|-----------------------------|--|--------------------------------|
| | Top Dia. D1 | Height H | Outside Size (sq.) X | Bolt Centers Y | Bolt Size B | Thick ness T | No. of Reinf. Screens | | | |
| CB-S2 | 2" | 3" | 5" | 3" | 1/2" | 3/8" | 1 | 11 | 310 | 4 |
| CB-S3 | 3" | 4 1/2" | 6 1/2" | 4 1/2" | 1/2" | 1/2" | 2 | 36 | 1000 | 9 |
| CB-S4 | 4" | 6" | 8" | 6" | 1/2" | 1/2" | 2 | 83 | 2300 | 15 |
| CB-S5 | 5" | 7 1/2" | 10" | 7 1/2" | 1/2" | 1/2" | 2 | 163 | 4550 | 25 |
| CB-S6 | 6" | 9" | 12" | 9" | 3/4" | 3/4" | 3 | 276 | 7700 | 49 |
| CB-S7 | 7" | 10 1/2" | 13 1/2" | 10 1/2" | 3/4" | 3/4" | 3 | 441 | 12300 | 66 |
| CB-S8 | 8" | 12" | 15" | 12" | 7/8" | 7/8" | 3 | 661 | 18500 | 95 |
| CB-S9 | 9" | 13 1/2" | 16" | 13" | 7/8" | 7/8" | 3 | 945 | 26500 | 115 |
| CB-S10 | 10" | 15" | 19" | 15" | 7/8" | 1" | 4 | 1300 | 36400 | 173 |
| CB-S11 | 11" | 16 1/2" | 20" | 16" | 1" | 1" | 4 | 1735 | 48500 | 210 |
| CB-S12 | 12" | 18" | 22" | 18" | 1" | 1 1/8" | 4 | 2255 | 63100 | 280 |