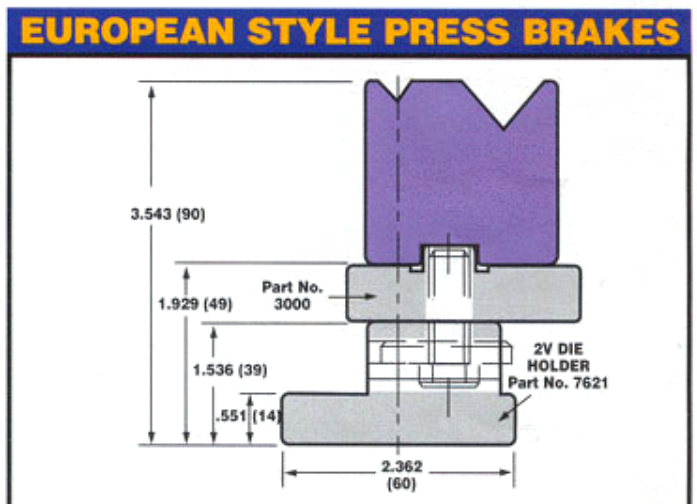
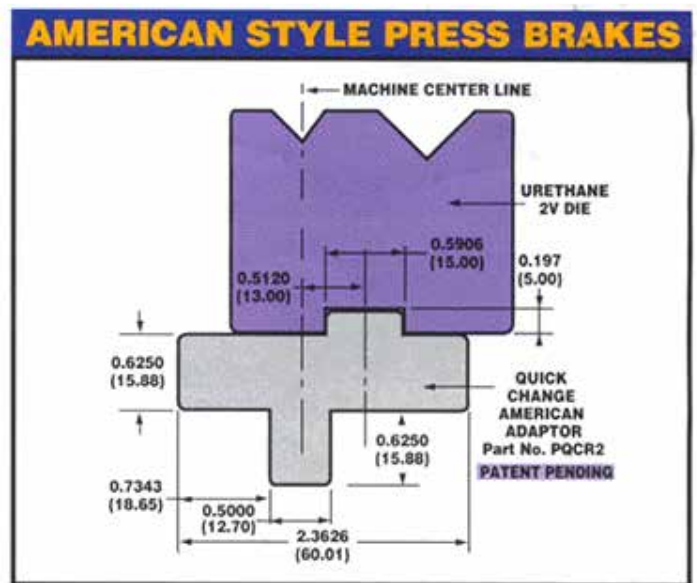




For American and European Style Press Brakes

Product Features

- Made of a very hard, tooling grade Urethane for SCRATCH-FREE bending of sheet metal.
- Just drop it on a Quick Change Die Rail and changing sizes of V-Dies will be a snap.
- Turn it around for a different size V-opening or drop in a new die.
- No need for alignment or shimming.
- Save Time and Money in forming pre-finished sheet metal as compared to using plastic film die covers.
- For European Style Machines, the 2-V Die can be used with a quick change rail, mounted on a 2-V Die holder.
- For American Style Machines, the 2-V Die can be used with a special rail (UST Part Number PQCR2).
- The 2V Dies are designed for Air bending only. The heights are the same as comparable Steel V Dies.



| Part Number | V-Openings V1 / V2 | | Angle of V Degrees | Width (W) | | Radii R1 / R2 | Height (H) | |
|-------------|--------------------|-------|--------------------|-----------|----|---------------|------------|----|
| | Inch | mm | | Inch | mm | | Inch | mm |
| 7101U | .236/.394 | 6/10 | 90 | 1.968 | 50 | 0.4 / 0.6 | 1.811 | 46 |
| 7102U | .315/.472 | 8/12 | 90 | 1.968 | 50 | 0.5 / 0.8 | 1.811 | 45 |
| 7104U | .551/.709 | 14/18 | 88 | 2.362 | 60 | 0.5 / 0.5 | 1.811 | 45 |
| 7105U | .472/.787 | 12/20 | 88 | 2.362 | 60 | 0.5 / 0.5 | 1.811 | 45 |
| 7106U | .630/.984 | 20/25 | 88 | 2.362 | 60 | 0.8 / 0.8 | 1.811 | 45 |
| 7321U | .315/.473 | 8/12 | 30 | 2.362 | 60 | 1.0 / 1.0 | 1.969 | 45 |

Urethane 2-V Dies are available in 6 different combinations of V-Openings.